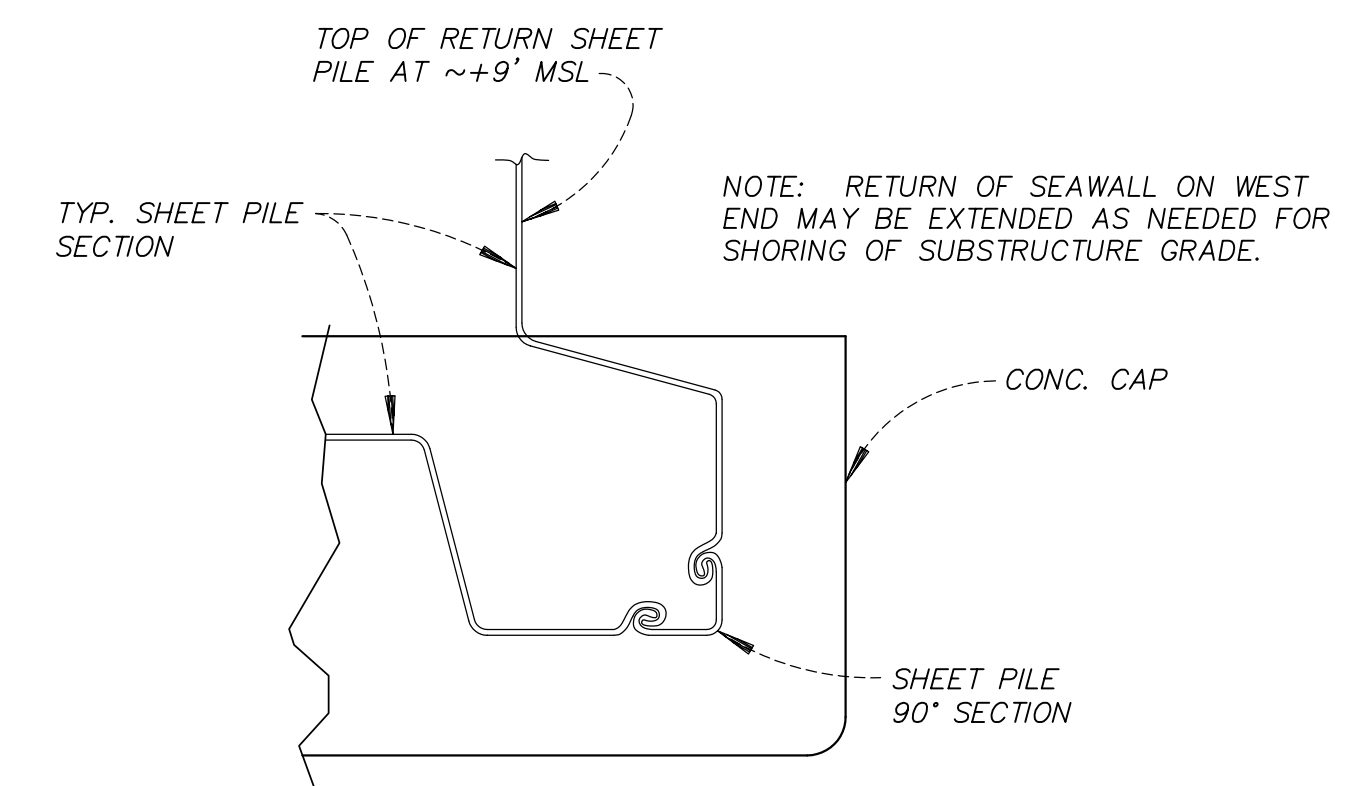
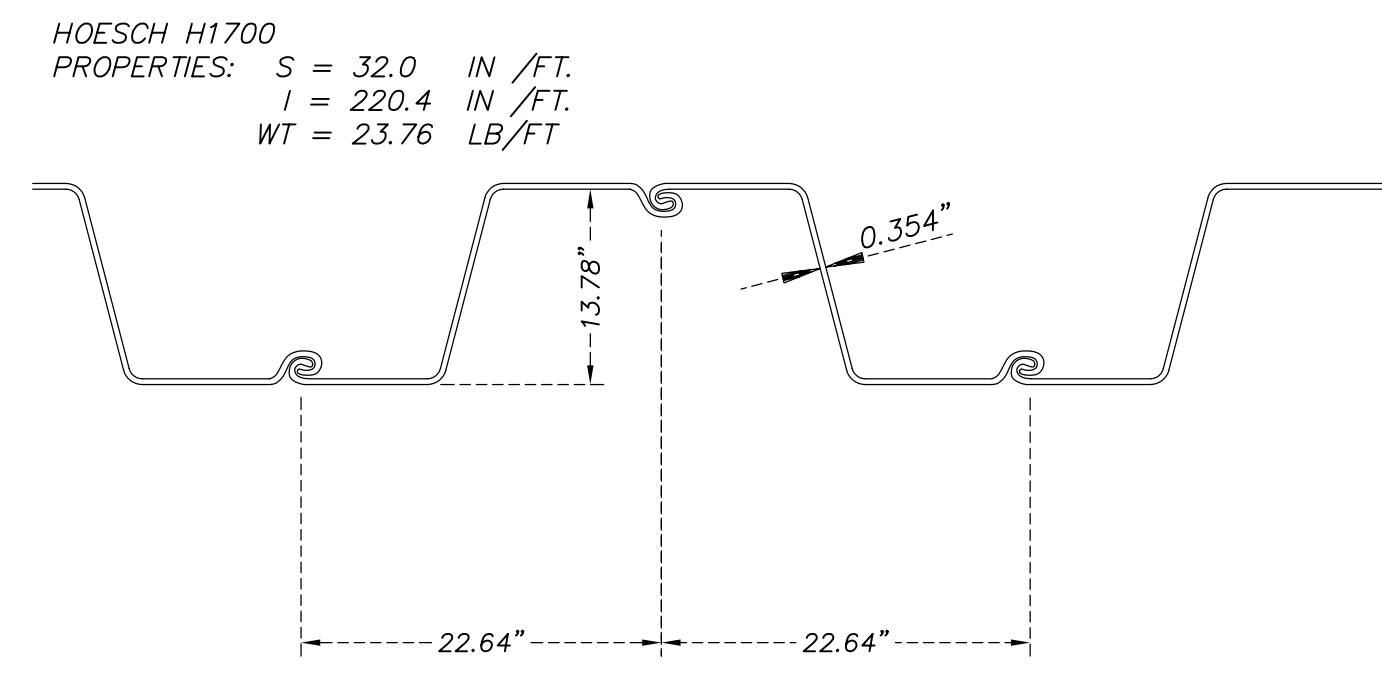


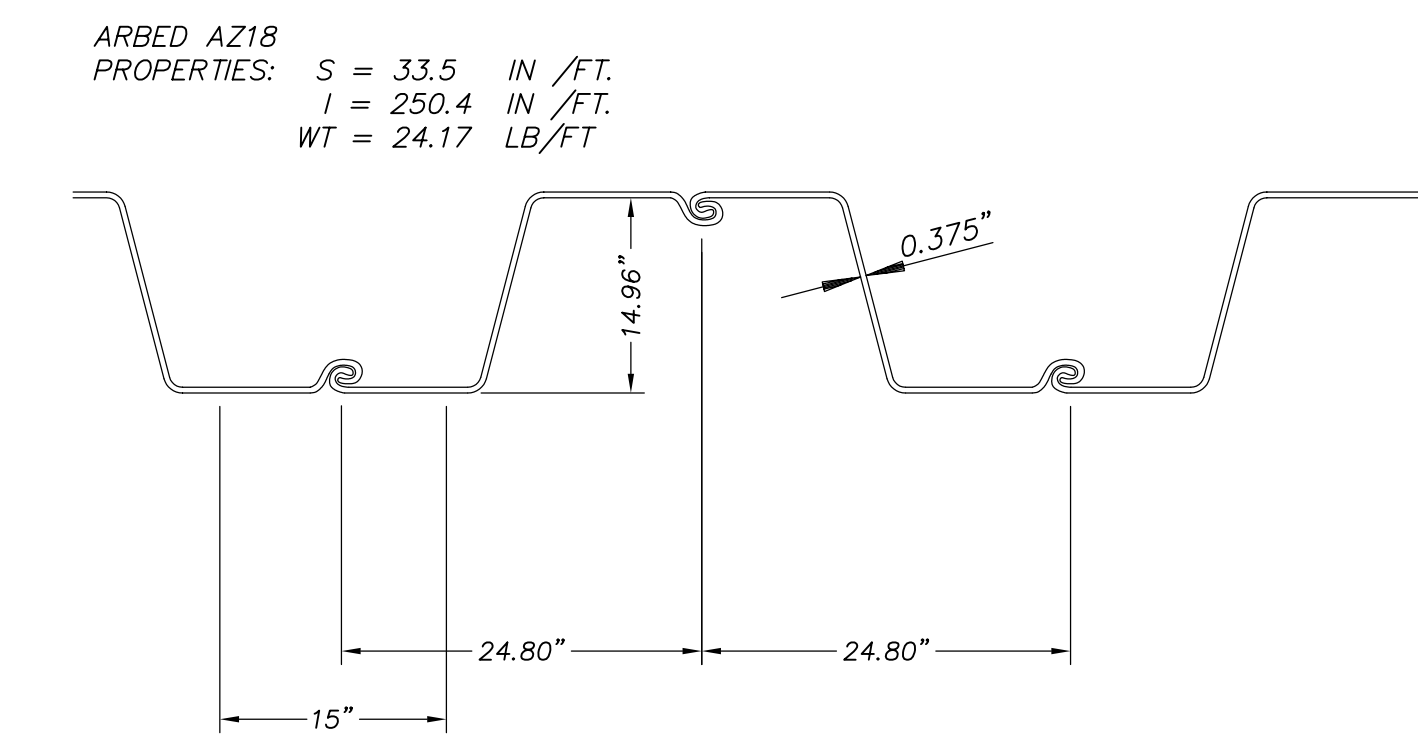
2 PILE CAP DETAIL - PLAN VIEW:  
NO SCALE



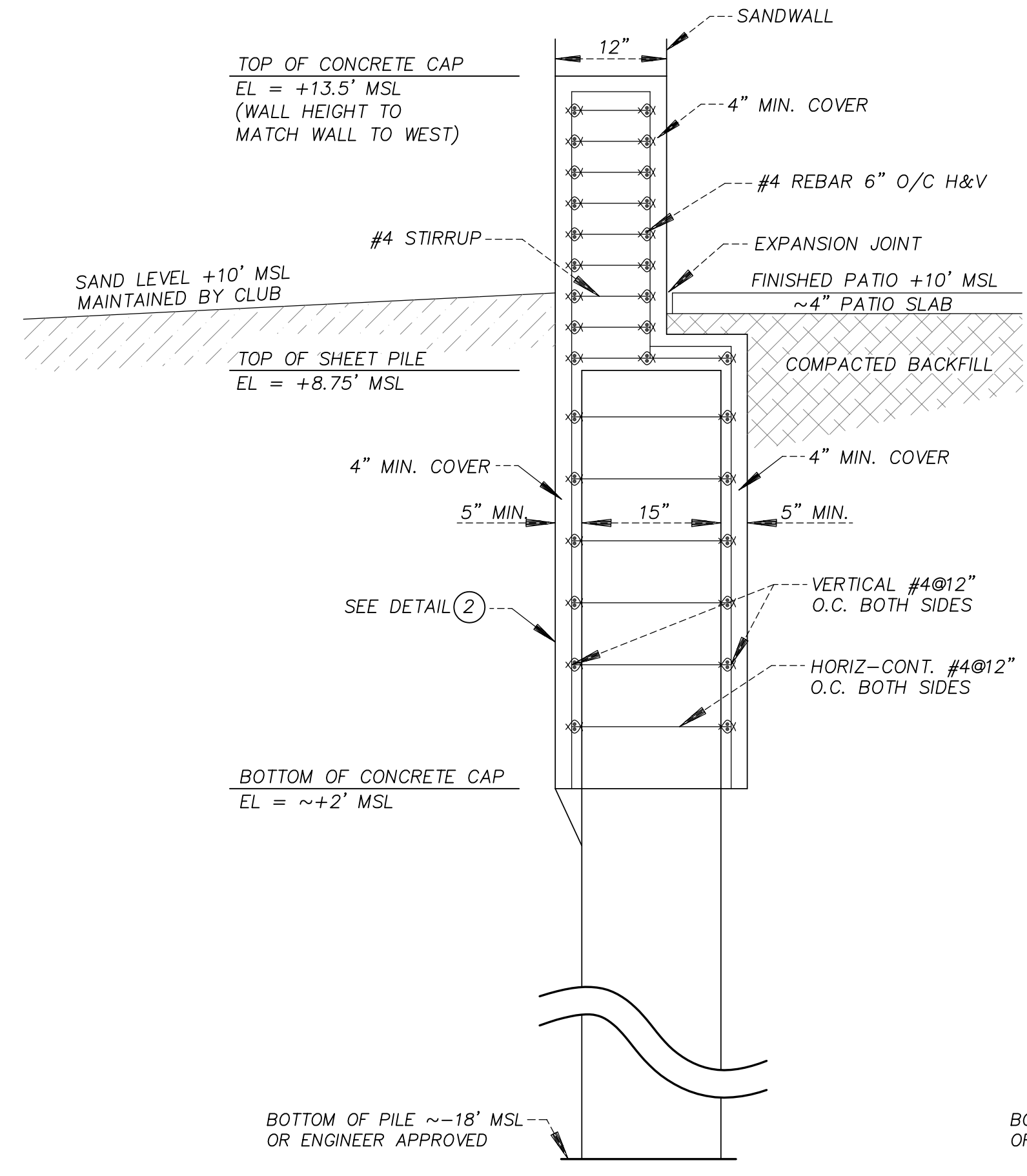
3 DETAIL - RETURN PILE SEC:  
NO SCALE



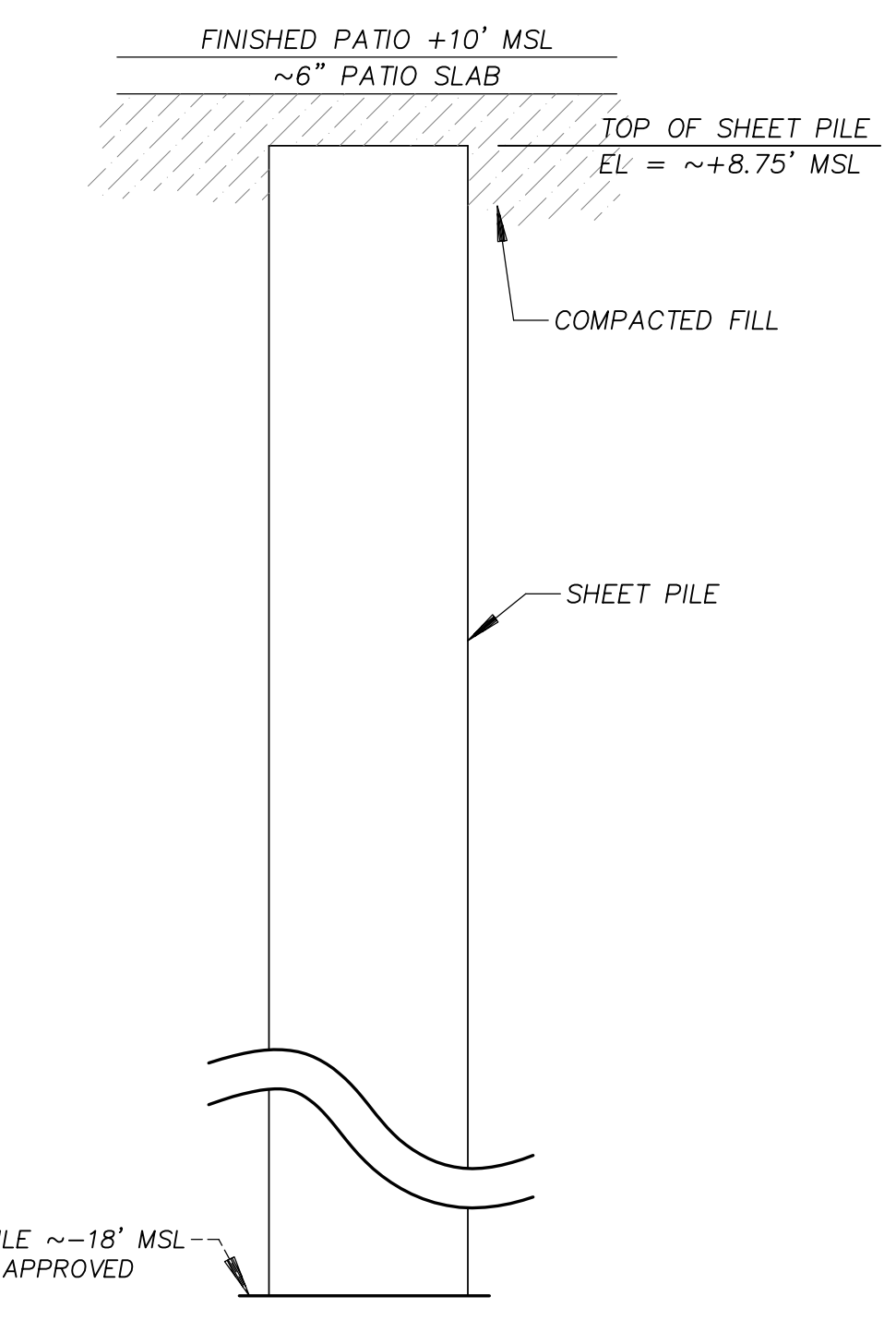
4 TYPICAL HOESCH 1700 SECTIONS:  
NO SCALE



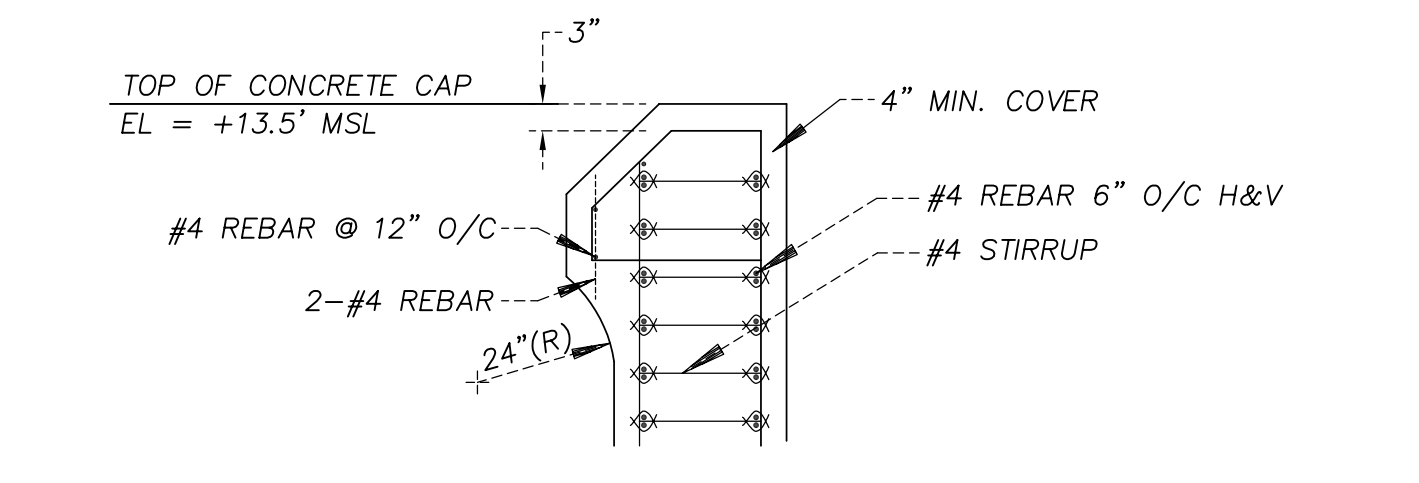
5 TYPICAL ARBED AZ18 SECTIONS:  
NO SCALE



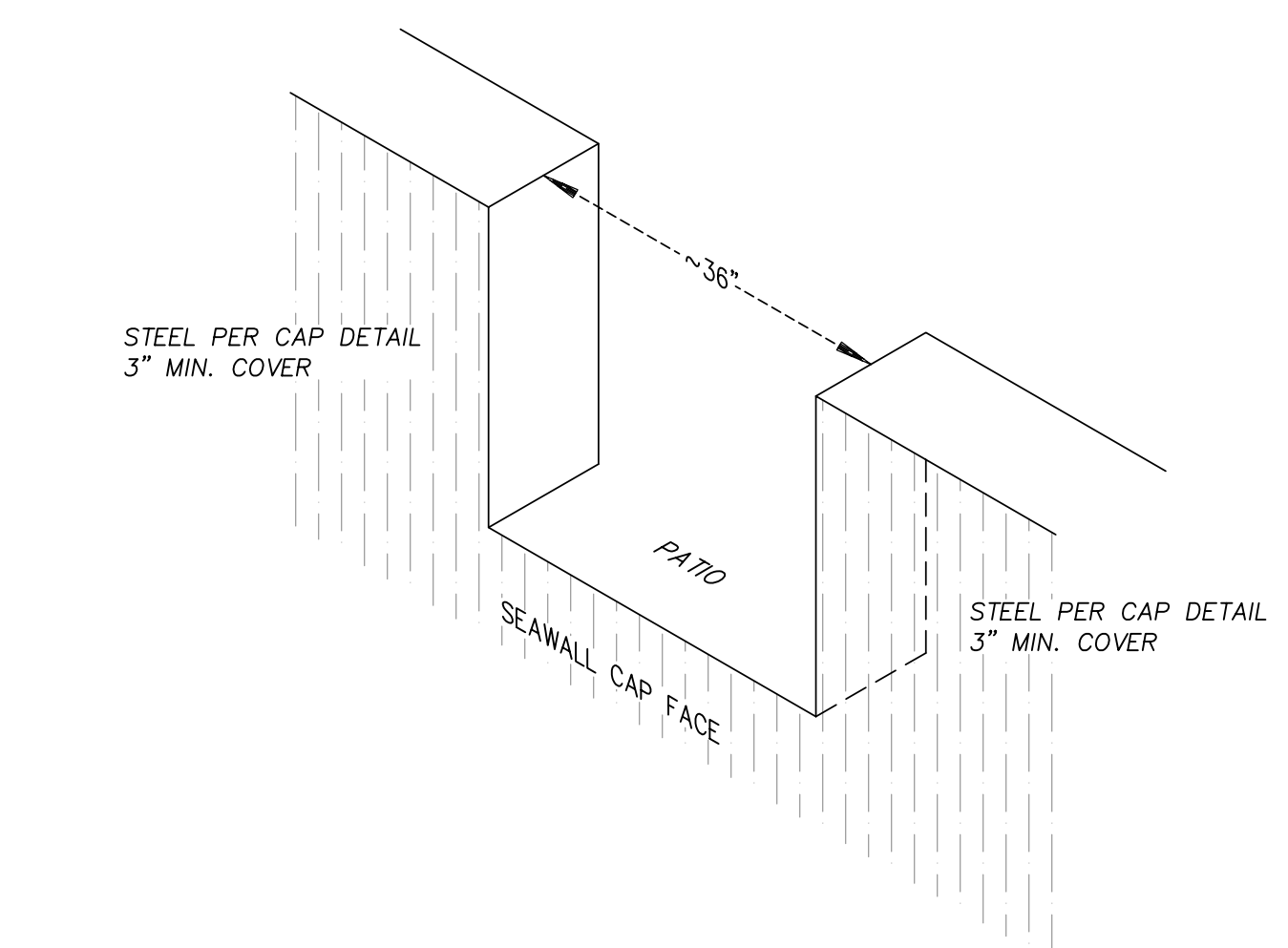
SECTION 'A' DETAIL:  
SCALE: AS SHOWN



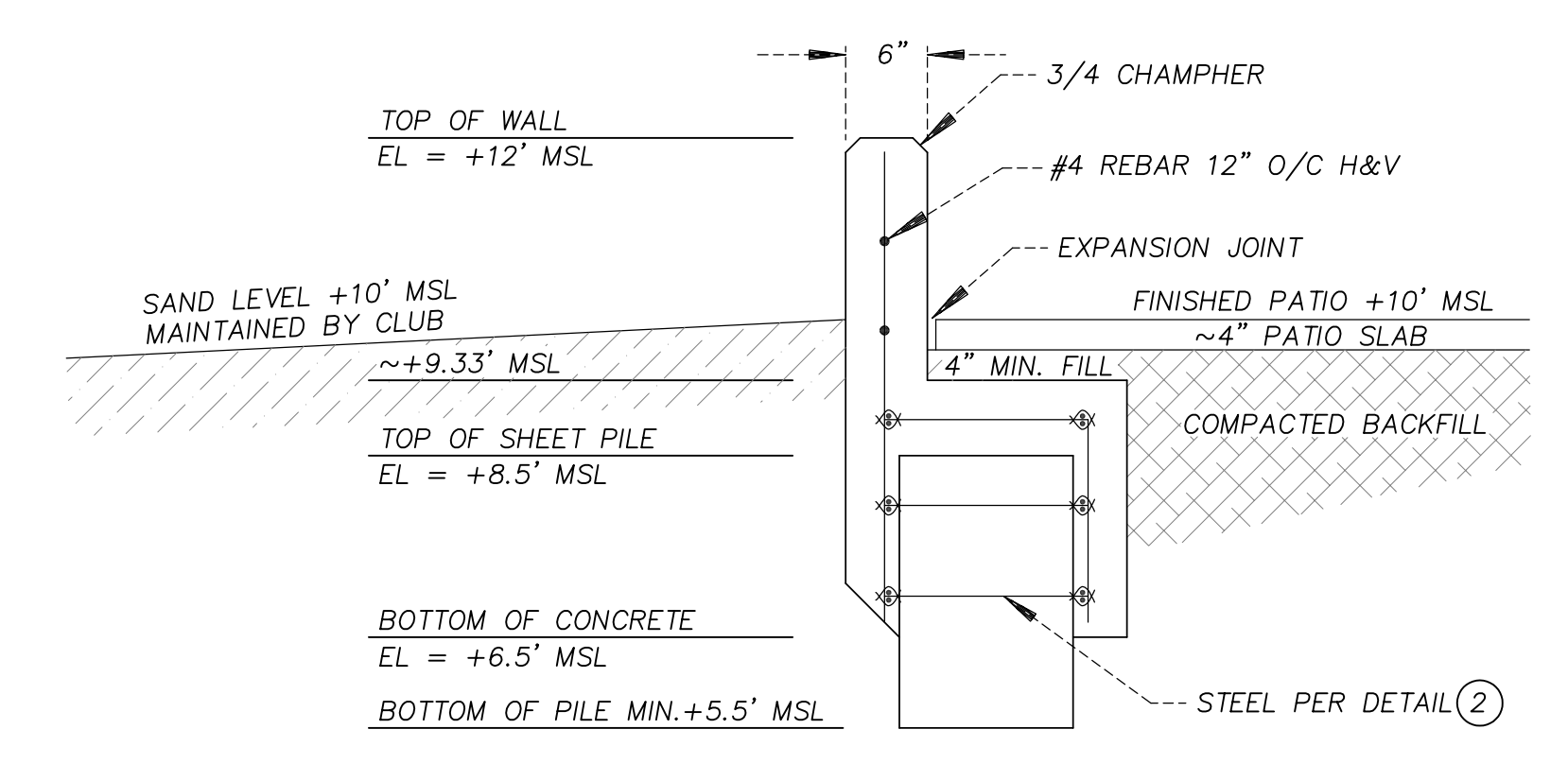
SECTION 'B' DETAIL:  
SCALE: AS SHOWN



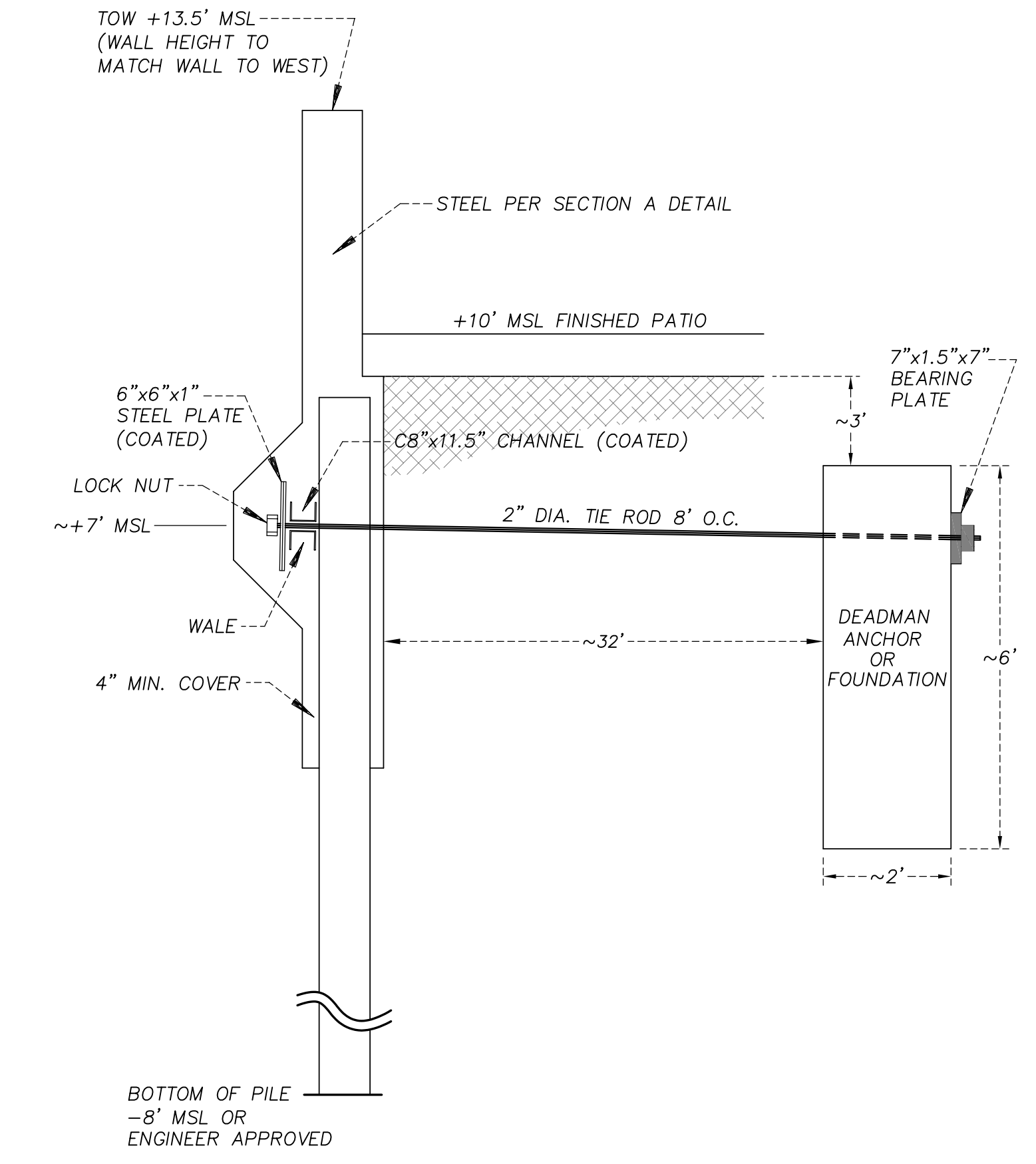
6 RE-ENTRANT FEATURE (OPTIONAL)  
NO SCALE



7 SEAWALL CAP NOTCH (OPTIONAL)  
NO SCALE



DEEPEND FOUNDATION  
SECTION 'C' DETAIL:  
SCALE: AS SHOWN



SECTION A1 DETAIL  
DEADMAN ANCHOR OPTION  
SCALE: AS SHOWN

REVISIONS	BY
11/15/04	D.S.
1/10/05	D.S.
2/10/05	D.S.
2/18/05	D.S.

DRAFTING BY:  
SCHMAHL  
DRAFTING  
DAVE SCHMAHL  
(760)414-3978

TITLE: Bel Air Bay Club  
Sea wall  
16800 Pacific Coast Highway  
CLIENT:

DRAWN
CHECKED
DATE 2/18/05
SCALE
JOB NO.
SHEET S2
OF 4 SHEETS