

4

3

2

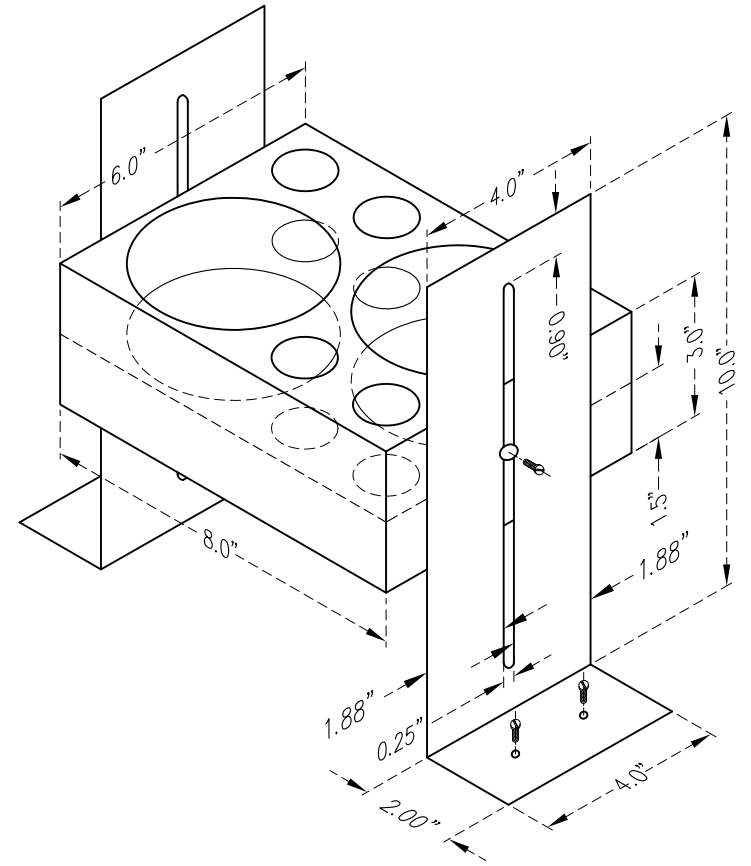
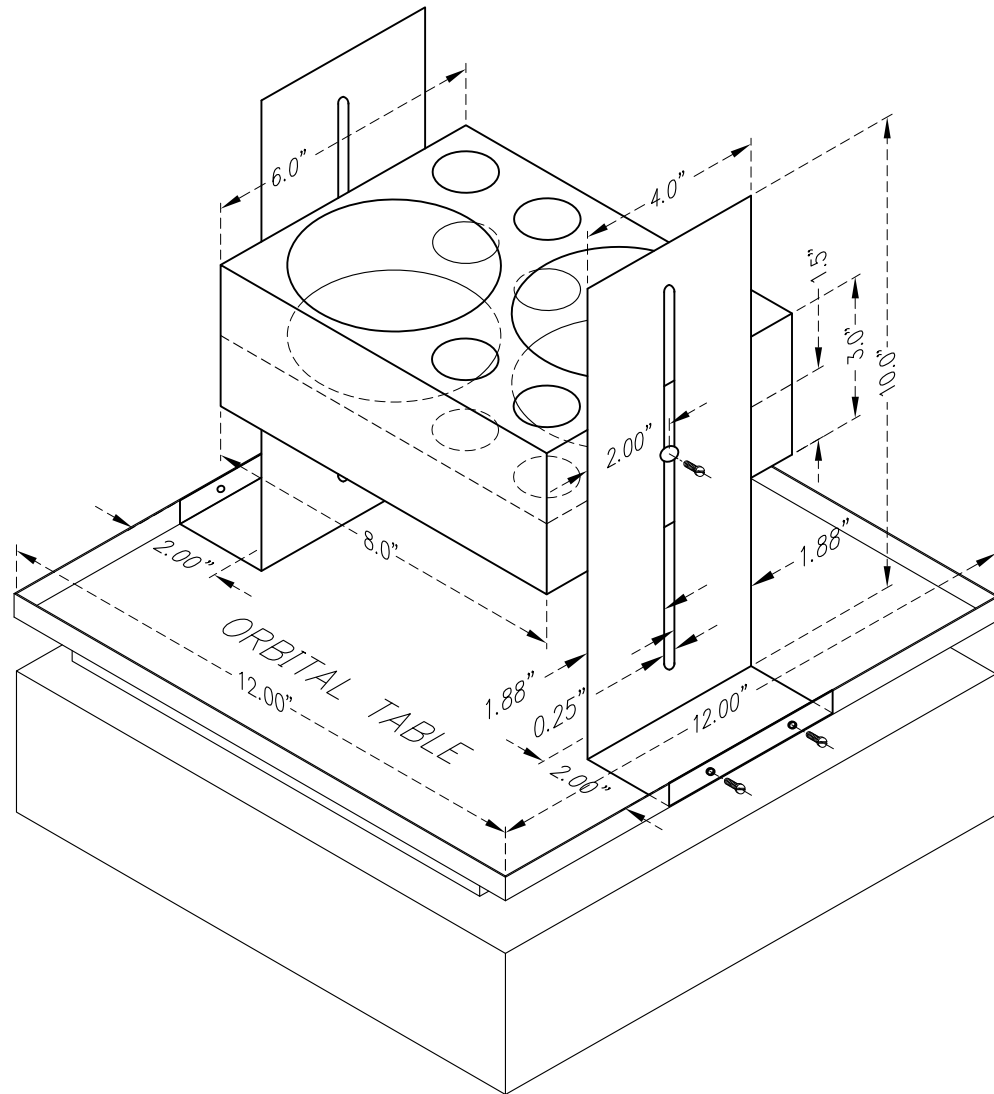
1

REVISIONS

ZONE	REV	DESCRIPTION	DATE	APPROVED
ALL	A	ORIGINAL DWG CREATION	18 OCT. 07	

ATTACHED TO ORBITAL TABLE

ATTACHED TO TABLE TOP



UNLESS OTHERWISE SPECIFIED  
 DIMENSIONS ARE IN INCHES  
 TOLERANCES: DECIMALS: ANGLES  
 .XXX = ±.01 ±1/2  
 .XX = ±.05 ±1  
 ALL MACHINED SURFACES  
 ANSI Y14.5 M 1982

DWG DESCRIPTION:  
**ADJUSTABLE HEIGHT TRAY  
 FOR ORBITAL TABLE AND TABLE TOP  
 FOR POUCH FILLER MACHINE**

DRAWN BY: SCHMAHL DRAFTING	SIZE: A	DWG NO.	REV: A
DATE: OCT. 18, 2007	SCALE: 1: 4	SHEET: 1 OF 2	

4

3

2

1