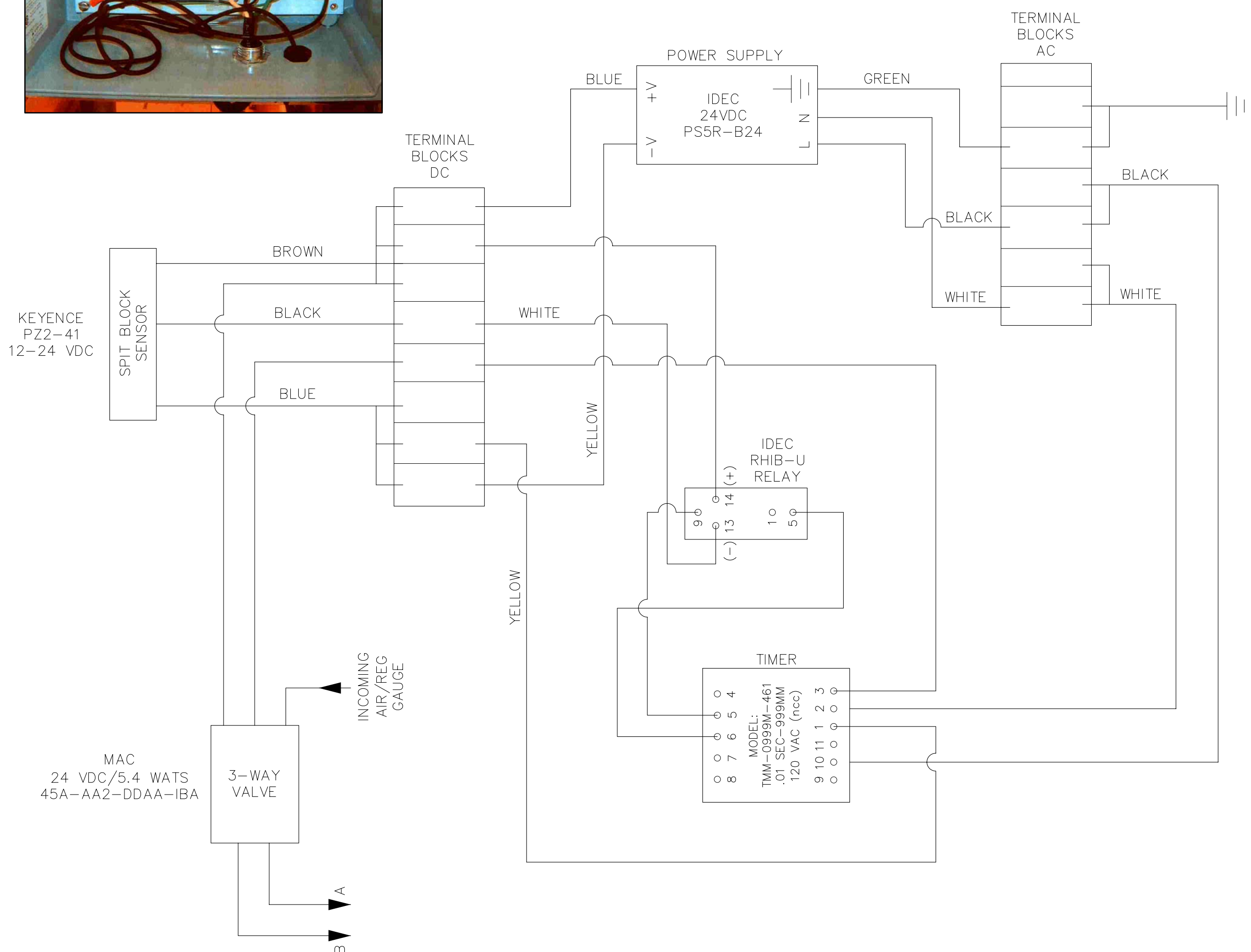
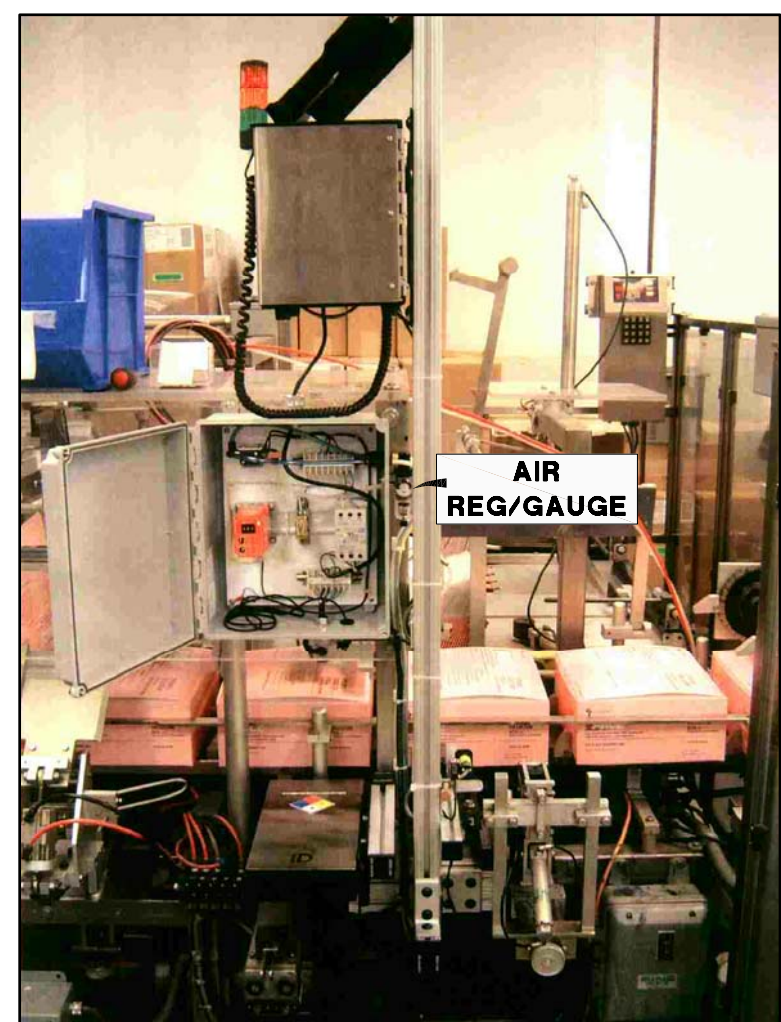
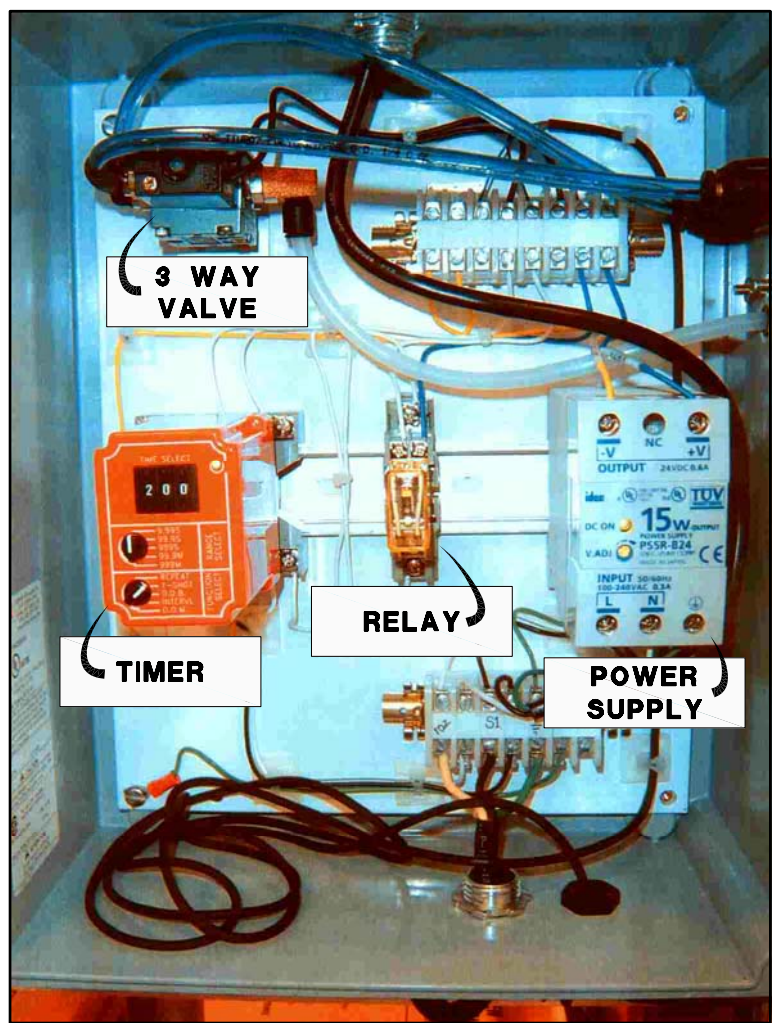


REVISIONS				
ZONE	REV	DESCRIPTION	DATE	APPROVED
ALL	A	ORIGINAL DWG CREATION		



UNLESS OTHERWISE SPECIFIED DIMENSIONS ARE IN INCHES TOLERANCES: DECIMALS: ANGLES .XXX = ?01 ?1/2 .XX = ?05 ?1? ALL MACHINED SURFACES ANSI Y14.5 M 1982		DWG DESCRIPTION: <b>INK-SPIT BLOCK</b>	
DRAWN BY: D.Schmahl	SIZE C	DWG NO.	REV C
DATE: 05MAR04	SCALE NTS	SHEET M1	